

Euro Profile Mortice Deadlock L2144E/212441E

Application:

- For timber doors hinged on the left or right
- Also suitable for steel & composite doors - special fixings required
- Suitable for doors up to 54mm thick

Operation:

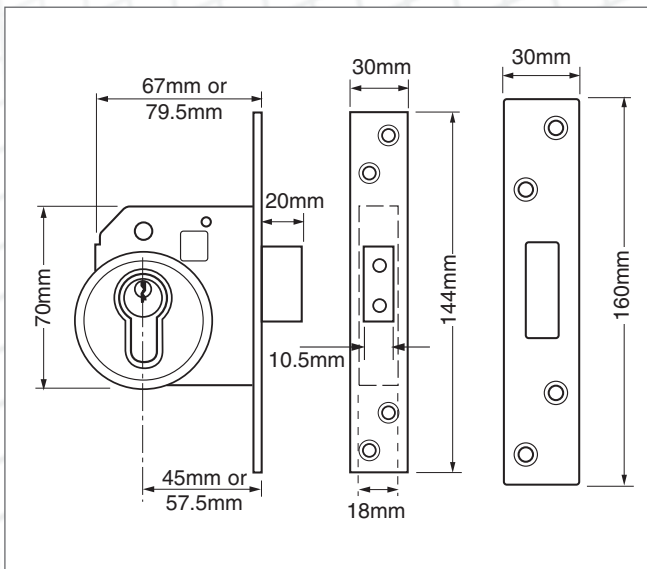
- Deadbolt is locked or unlocked by cylinder key from either side
- Extended 20mm deadbolt for secure positive deadlocking and additional resistance against attack

Specification:

Reference	212441E (BS 3621: 2007 if supplied complete with case, cylinder and 53043 security roses) L2144E (non-BS deadlock case)
Case Size	67mm (2.5") or 79.5mm (3")
Backset	45mm or 57.5mm
Case	Steel, silver powder coat
Outer Forend	Stainless steel or brass
Striking Plate	Finished to match forend
Deadbolt	Brass with hardened steel rollers
Latch Bolt	n/a
Follower	n/a
Rebate Kit	2958 (13mm, 19mm or 25mm)
Cylinder Type	Euro profile, supplied with L212441E
Keys	3 steel nickel plated keys supplied as standard
Key Blank Number	KB502 - 6-pin

Features:

- Extended 20mm deadbolt for extra security
- Security box striking plate
- British Standard rated & Police preferred specification



Finishes:

- SC - Satin Chrome finish
- PL - Polished Brass finish

Standards:

- 212441E tested to BS3621:2007

2H410F7KA00



- EN 1634-1 assessed for use on 60 minutes timber fire doors



- Kitemark only achieved if supplied complete with cylinder and security escutcheons

BS 3621:2004



- EC Certificate number: 0832-CPD-6039 (212441E only)

Ordering Code Example:

J 212441E - PL - 2.50 (complete BS set)

J L2144E - PL - 2.50 (case only)

(Boxed - Product Code - Finish - Case Size)

BS & High Security Euro Profile

Euro Profile Mortice Lock

L2244E/222441E

Application:

- For timber doors hinged on the left or right
- Also suitable for steel & composite doors - special fixings required
- Not supplied master keyed

Operation:

- Deadbolt is locked or unlocked by euro profile cylinder key from either side
- 20mm throw deadbolt for secure positive deadlocking and additional resistance against attack
- Latch bolt withdrawn by lever handle from either side
- Reversible latch bolt
- Cylinder options - key and key
- Pierced to accept bolt through furniture and 53043 security rose



Specification:

Reference	222441E (BS 3621: 2007 if supplied complete with case, cylinder and 53043 security roses) L2244E (non BS sash lock case)
Case Size	67mm (2.5") or 79.5mm (3")
Backset	45mm or 57.5mm
Case	Steel, red powder coat
Outer Forend	Stainless steel or brass
Striking Plate	Finished to match forend
Deadbolt	Brass with hardened steel rollers
Latch Bolt	Brass, easily reversible
Follower	Brass, 8mm square
Rebate Kit	2968 (13mm, 19mm or 25mm)
Cylinder Type	Euro profile (supplied with 222441E)
Keys	3 steel nickel plated keys supplied as standard
Key Blank Number	KB502, 6-pin

Features:

- 20mm deadbolt for extra security
- Security box striking plate
- British Standard rated
- Police preferred specification

Finishes:

- SC - Satin Chrome finish
- PL - Polished Brass finish

Standards:

- 222441E tested to BS3621:2007

2H410F7KA20



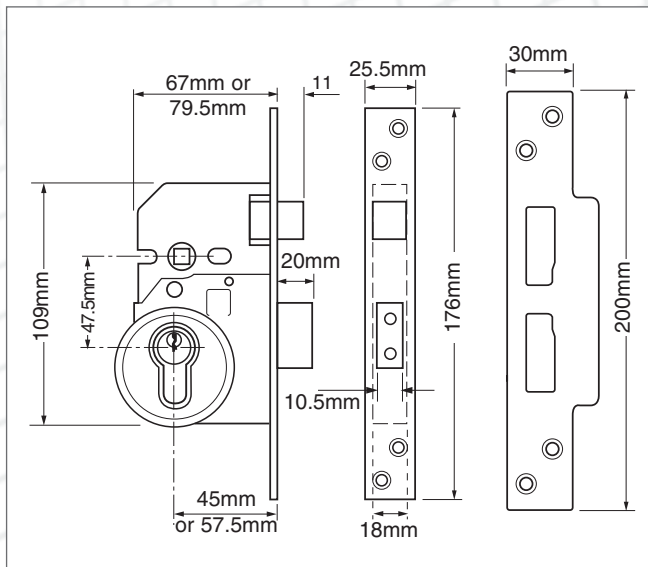
- EN 1634-1 assessed for use on 60 minutes timber fire doors



- Kitemark only achieved if supplied complete with cylinder and security escutcheons



- EC Certificate number: 0832-CPD-6044 (222441E only)



Ordering Code Example:

J 222441E - PL - 2.50 (complete BS set)
J L2244E - PL - 2.50 (case only)
(Boxed - Product Code - Finish - Case Size)