

5 Lever BS 3621:2007 Deadlock

2100S

Application:

- For timber doors hinged on the left or right
- Suitable for doors up to 54mm thick

Operation:

- Deadbolt locked or unlocked by the key from either side
- 20mm deadbolt for secure positive deadlocking and additional resistance against attack
- 2100S can be keyed alike with 2200S

Specification:

Reference	2100S (BS 20mm extended throw)
Case Size	67mm (2.5") or 79.5mm (3")
Backset	45mm or 57.5mm
Case	Steel, red powder coat
Forend	Stainless steel or brass
Striking Plate	Finished to match forend
Faceplate	Supplied with square faceplate which covers a radius inner forend
Deadbolt	Brass with hardened steel rollers
Latch Bolt	n/a
Follower	n/a
Rebate Kit	2100REB 13mm (0.5")
Keying Groups	May be supplied to pass or differ. Supplied with 2 steel nickel plated keys

Key Blank Number KB430
 NB: not suitable for master keying

Features:

- Anti-pick, anti-saw and anti-drill security features for resistance against attack
- Chamfered bolt design increases the performance of the lock under side load testing the chamfer of the bolt also makes drilling attack more difficult
- Supplied with covered escutcheon to match forend



Benefits:

- Radius inner forend for ease of installation
- Can be installed in to many UK mortices without the need for additional carpentry or spoiling the edge of the door
- Anti-pick and keyhole protection prevents forced entry by picking
- Hardened steel pins provide resistance to attack from sawing

Finishes:

- Satin Stainless Steel finish (SC)
- Satin Brass (PL)

Standards:

- Tested to BS3621:2007

2H410F7KD0B



- EN 1634-1 assessed for use on 60 minutes timber fire doors

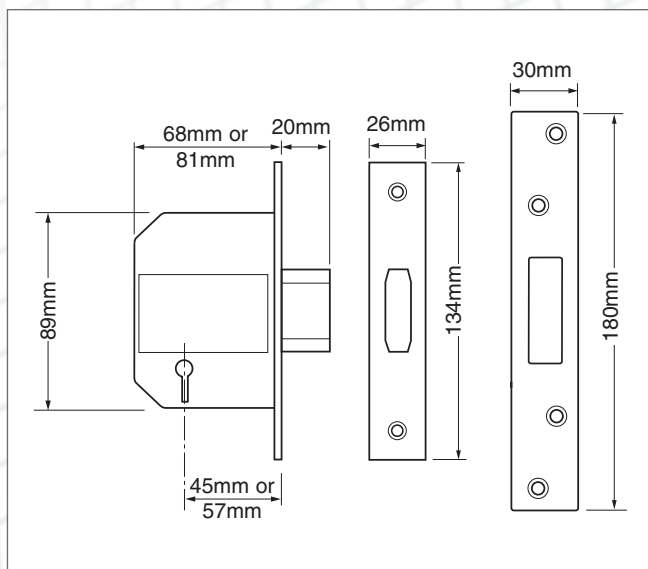
Ordering Code Example:

J 2100S - PL - 2.50
 (Boxed - Product Code - Finish - Case Size)

J 2100REB - 0.5 - PL
 (Boxed - Product Code - Case Size - Finish)

Packaging:

- Individually boxed, supplied in outer boxes of 10



BS 5 Lever and 5 Lever Mortice
2F

5 Lever BS 3621:2007 Mortice Sash Lock

2200S

Application:

- For timber doors hinged on the left or right
- Keys are suitable for doors up to 54mm thick

Operation:

- Deadbolt locked or unlocked by the key from either side
- 20mm deadbolt for secure positive deadlocking and additional resistance against attack
- 2200S can be keyed alike with 2100S

Specification:

Reference	2200S (BS 20mm throw)
Case Size	67mm (2.5") or 79.5mm (3")
Backset	45mm or 57.5mm
Case	Steel, red powder coat
Forend	Stainless steel or brass
Striking Plate	Security box type, finished to match forend
Faceplate	Supplied with square faceplate which covers a radius inner forend
Deadbolt	Brass with hardened steel rollers
Latch Bolt	Brass, reversible
Follower	Brass, 8mm square
Rebate Kit	2200REB 13mm (0.5")
Keying Groups	Supplied to pass or differ. Supplied with 2 steel nickel plated keys
Key Blank Number	KB430
NB: not suitable for master keying	

Features:

- Anti-pick, anti-saw and anti-drill security features for resistance against attack
- Chamfered bolt design increases the performance of the lock under side load testing the chamfer of the bolt also makes drilling attack more difficult



- Non-handed - easily reversible latchbolt head
- Pierced to accept bolt through door furniture

Benefits:

- Radius inner forend for ease of installation
- Can be installed in to many UK mortices without the need for additional carpentry or spoiling the edge of the door
- Anti-pick and keyhole protection prevents forced entry by picking
- Hardened steel pins provide resistance to attack from sawing
- Radius latch head for smooth operation

Finishes:

- Satin Stainless Steel finish (SC)
- Satin Brass (PL)

Standards:

- Tested to BS3621:2007

2 H 4 1 0 F 7 K D 1 B



- EN 1634-1 assessed for use on 60 minutes timber fire doors

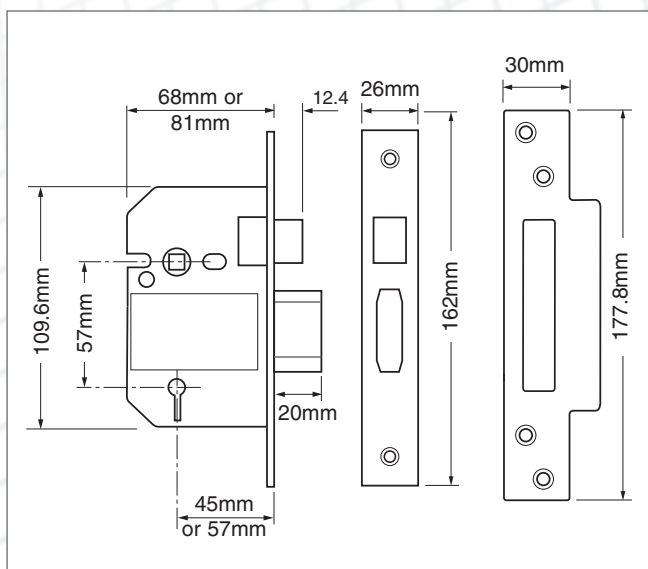
Ordering Code Example:

J 2200S - PL - 2.50
(Boxed - Product Code - Finish - Case Size)

J 2200REB - 0.5 - PL
(Boxed - Product Code - Case Size - Finish)

Packaging:

- Individually boxed, supplied in outer boxes of 10



2F BS 5 Lever and 5 Lever Mortice

5 Lever BS 3621:2007 Deadlock

2134E

Application:

- For timber doors hinged on the left or right
- Keys are suitable for doors up to 54mm thick

Operation:

- Deadbolt locked or unlocked by key from either side
- Extended 20mm deadbolt for secure positive deadlocking and additional resistance against attack
- 2134E can be keyed alike with 2234E

Specification:

Reference	2134E (BS 20mm extended throw)
Case Size	67mm (2.5") or 79.5mm (3")
Backset	45mm or 57.5mm
Case	Steel, red powder coat
Forend	Stainless steel or brass
Striking Plate	Finished to match forend
Deadbolt	Brass, with hardened steel rollers
Latch Bolt	n/a
Follower	n/a
Rebate Kit	2954 (13mm, 19mm or 25mm)
Keying Groups	May be supplied to pass or differ. Supplied with 3 steel nickel plated keys
Key Blank Number	KB430

NB: Not suitable for master keying

Features:

- Security box striking plate
- Anti-pick and anti-saw security features
- Available with square forend and locking plate
- 20mm bolt throw



Finishes:

- SC - Satin Chrome finish
- PL - Brass finish

Standards:

- Tested to BS3621:2007

2 H 4 1 0 F 7 K D 0 V



- EN 1634-1 assessed for use on 60 minutes timber fire doors



- EC Certificate number: 0832-CPD-6038

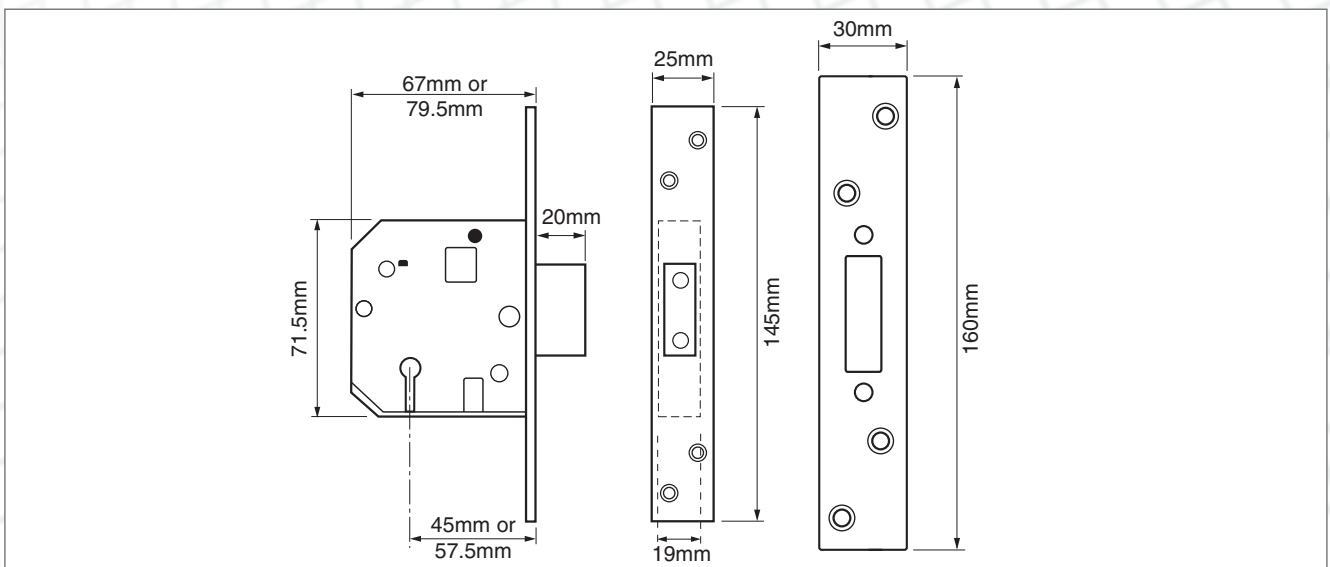
Ordering Code Example:

J 2134E - PL - 2.50

(Boxed - Product Code - Finish - Case Size)

Y 2134E - PL - 2.50

(Visi Packed - Product Code - Finish - Case Size)



BS 5 Lever & 5 Lever Mortice

5 Lever BS 3621:2007 Mortice Sash Lock 2234E

Application:

- For timber doors hinged on the left or right and requiring key and lever handle operation
- Keys are suitable for doors up to 54mm thick

Operation:

- Deadbolt locked or unlocked by key from either side
- Latch bolt withdrawn by lever handle from either side
- Extended 20mm deadbolt for secure positive deadlocking and additional resistance against attack
- 2234E may be keyed alike with 2134E
- Pierced to accept bolt through furniture

Specification:

Reference	2234E (BS 20mm throw)
Case Size	67mm (2.5") or 79.5mm (3")
Backset	45mm or 57.5mm
Case	Steel, red powder coat
Forend	Stainless steel or brass
Striking Plate	Security box type, finished to match forend
Deadbolt	Brass, with hardened steel rollers
Latch Bolt	Brass, reversible
Follower	Brass, 8mm square
Rebate Kit	2964 (13mm, 19mm or 25mm)
Keying Groups	Supplied to pass, differ and keyed alike. Supplied with 3 steel nickel plated keys
Key Blank Number	KB430

NB: Not suitable for master keying

Features:

- Reversible latch bolt from outside of case
- Anti-pick and anti-saw security features
- Available with square forend and striking plate
- 20mm bolt throw



Finishes:

- SC - Satin Chrome finish
- PL - Brass finish

Standards:

- Tested to BS3621:2007

2 H 4 1 0 F 7 K D 2 B



- EN 1634-1 assessed for use on 60 minutes timber fire doors



- EC Certificate number: 0832-CPD-6043

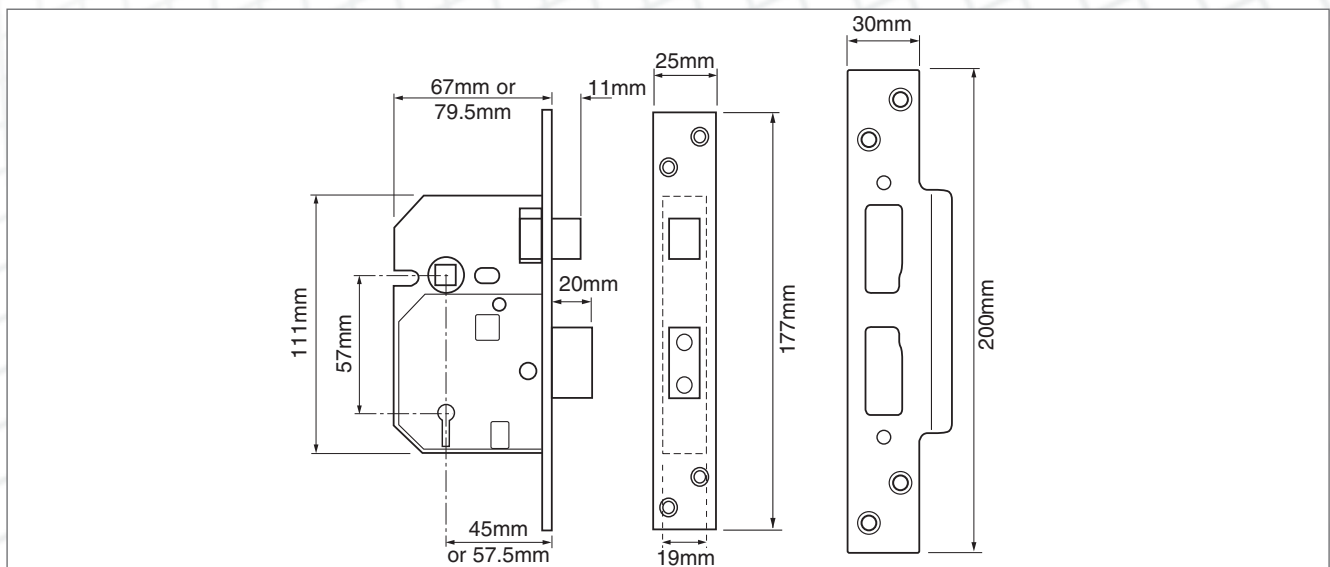
Ordering Code Example:

J - 2234E - PL - 2.50

(Boxed - Product Code - Finish - Case Size)

Y - 2234E - PL - 2.50

(Visi Packed - Product Code - Finish - Case Size)



2F BS 5 Lever and 5 Lever Mortice

5 Lever Deadlock

2134

Application:

- For timber doors hinged on the left or right
- Keys are suitable for doors up to 54mm thick

Operation:

- Deadbolt locked or unlocked by key from either side
- 2134 can be keyed alike with 2234

Specification:

Reference	2134 (Non BS 14mm throw)
Case Size	67mm (2.5") or 79.5mm (3")
Backset	45mm or 57.5mm
Case	Steel, red powder coat
Forend	Stainless steel or brass
Striking Plate	Finished to match forend
Deadbolt	Brass, with hardened steel rollers
Latch Bolt	n/a
Follower	n/a
Rebate Kit	2954 (13mm, 19mm or 25mm)
Keying Groups	May be supplied to pass or differ. Supplied with 2 steel nickel plated keys
Key Blank Number	KB430

NB: Not suitable for master keying

Features:

- Security box striking plate
- Anti-pick and anti-saw security features
- Available with square forend and locking plate



Finishes:

- SC - Satin Chrome finish
- PL - Brass finish

Standards:



- EN 1634-1 assessed for use on 60 minutes timber fire doors

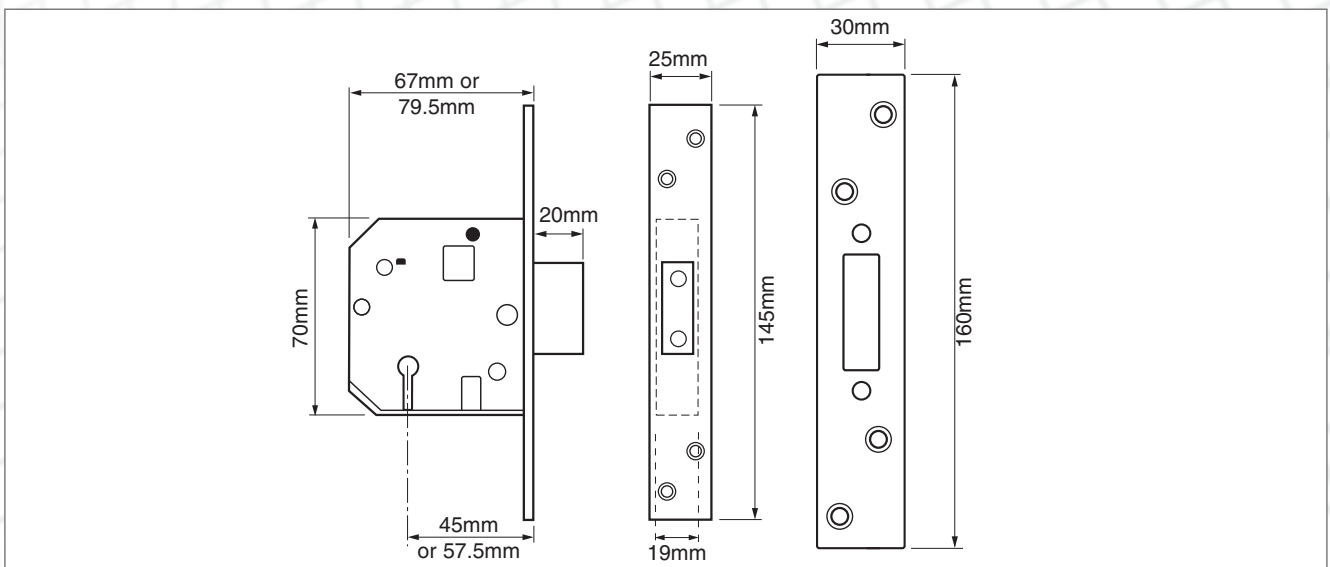
Ordering Code Example:

J 2134 - PL - 2.50

(Boxed - Product Code - Finish - Case Size)

Y 2134 - PL - 2.50

(Visi Packed - Product Code - Finish - Case Size)



BS 5 Lever & 5 Lever Mortice

5 Lever Mortice Sash Lock

2234

Application:

- For timber doors hinged on the left or right and requiring key and lever handle operation
- Keys are suitable for doors up to 54mm thick

Operation:

- Deadbolt locked or unlocked by key from either side
- Latch bolt withdrawn by lever handle from either side
- 2234 - may be keyed alike with 2134
- Pierced to accept bolt through furniture

Specification:

Reference	2234 (Non BS 14mm throw)
Case Size	67mm (2.5") or 79.5mm (3")
Backset	45mm or 57.5mm
Case	Steel, red powder coat
Forend	Stainless steel or brass
Striking Plate	Security box type, finished to match forend
Deadbolt	Brass, with hardened steel rollers
Latch Bolt	Brass, reversible
Follower	Brass, 8mm square
Rebate Kit	2964 (13mm, 19mm or 25mm)
Keying Groups	Supplied to pass, differ and keyed alike. Supplied with 2 steel nickel plated keys
Key Blank Number	KB430

NB: Not suitable for master keying

Features:

- Reversible latch bolt from outside of case
- Anti-pick and anti-saw security features
- Available with square forend and striking plate



Finishes:

- SC - Satin Chrome finish
- PL - Brass finish

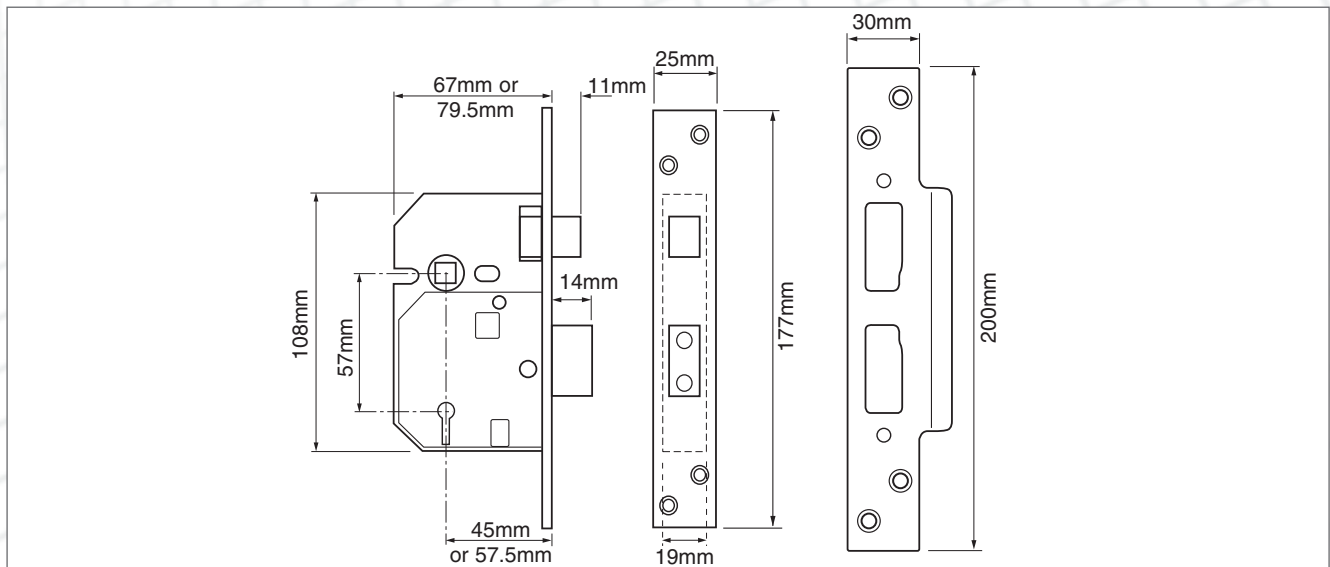
Standards:



- EN 1634-1 assessed for use on 60 minutes timber fire doors

Ordering Code Example:

J 2234 - PL - 2.50
 (Boxed - Product Code - Finish - Case Size)
 Y - 2234 - PL - 2.50
 (Visi Packed - Product Code - Finish - Case Size)



2F BS 5 Lever and 5 Lever Mortice

5 Lever Deadlock

2101

Application:

- For timber doors hinged on the left or right
- Keys suitable for use on doors up to 54mm thick

Operation:

- Deadbolt locked or unlocked by key from either side
- May be keyed alike with 2201 & 2401

Specification:

Reference	2101
Case Size	65mm (2.5") or 77.5mm (3")
Backset	44.5mm or 57mm
Case	Steel, red powder coat
Forend	Stainless steel or brass
Striking Plate	Finished to match forend
Deadbolt	Brass, with hardened steel rollers
Latch Bolt	n/a
Follower	n/a
Rebate Kit	2988 (13, 19 or 25mm sizes)
Keying Groups	May be supplied to pass or differ. Supplied with 2 steel nickel plated keys
Key Blank Number	KB430
Keying	600 standard differs (keys are not numbered for security purposes)

NB: Not suitable for masterkeying

Features:

- Security box striking plate
- Available with square forend and locking plate



Finishes:

- SC - Satin Chrome finish
- PL - Brass finish

Standards:



- EN 1634-1 assessed for use on 60 minutes timber fire doors

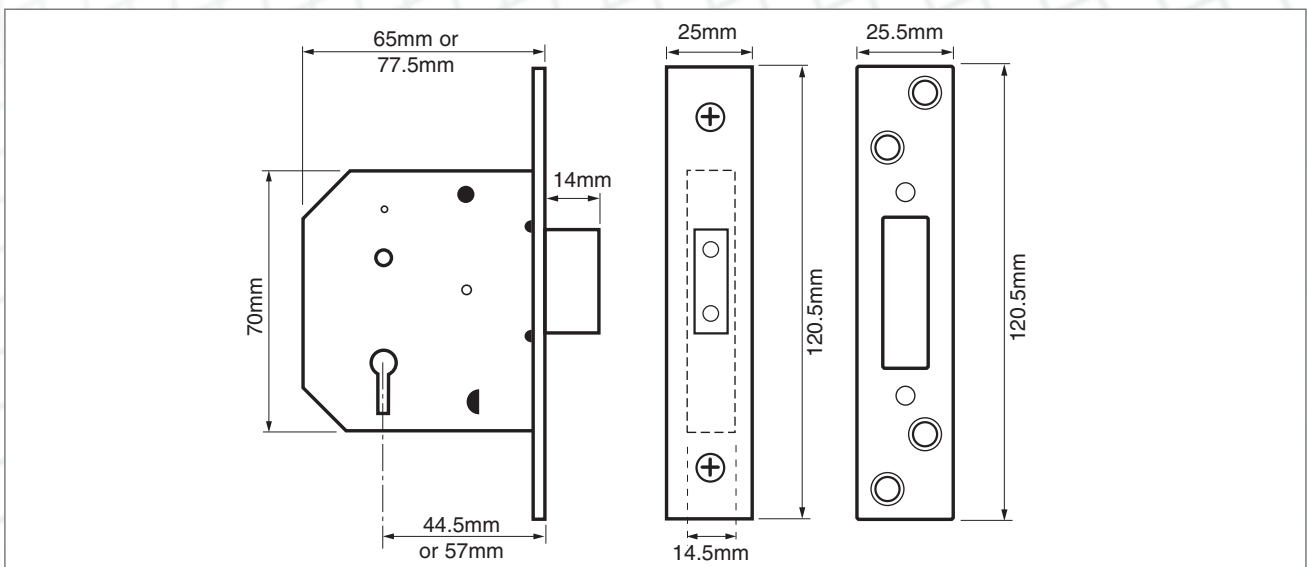
Ordering Code Example:

J 2101 - PL - 2.50

(Boxed - Product Code - Finish - Case Size)

Y 2101 - PL - 2.50

(Visi Packed - Product Code - Finish - Case Size)



BS 5 Lever & 5 Lever Mortice

5 Lever Mortice Sash Lock

2201

Application:

- For timber doors hinged on the left or right
- Keys suitable for use on doors up to 54mm thick

Operation:

- Deadbolt locked or unlocked by key from either side
- Latch bolt withdrawn by lever handle from either side
- May be keyed alike with 2101 and 2401
- Pierced to accept bolt through furniture

Specification:

Reference	2201
Case Size	65mm (2.5") or 77.5mm (3")
Backset	44.5mm or 57mm
Case	Steel, red powder coat
Forend	Stainless steel or brass
Striking Plate	Finished to match forend
Deadbolt	Brass, with hardened steel rollers
Latch Bolt	Brass, easily reversible
Follower	Brass, 8mm square
Rebate Kit	2989 (13, 19 or 25mm sizes)
Keying Groups	May be supplied to pass or differ. Supplied with 2 steel nickel plated keys
Key Blank Number	KB430
Keying	600 standard differs (keys are not numbered for security purposes)

NB: Not suitable for master keying

Features:

- Security box striking plate
- Easily reversible latch bolt from outside of case
- Available with square forend and striking plate



Finishes:

- SC - Satin Chrome finish
- PL - Brass finish

Standards:



- EN 1634-1 assessed for use on 60 minutes timber fire doors

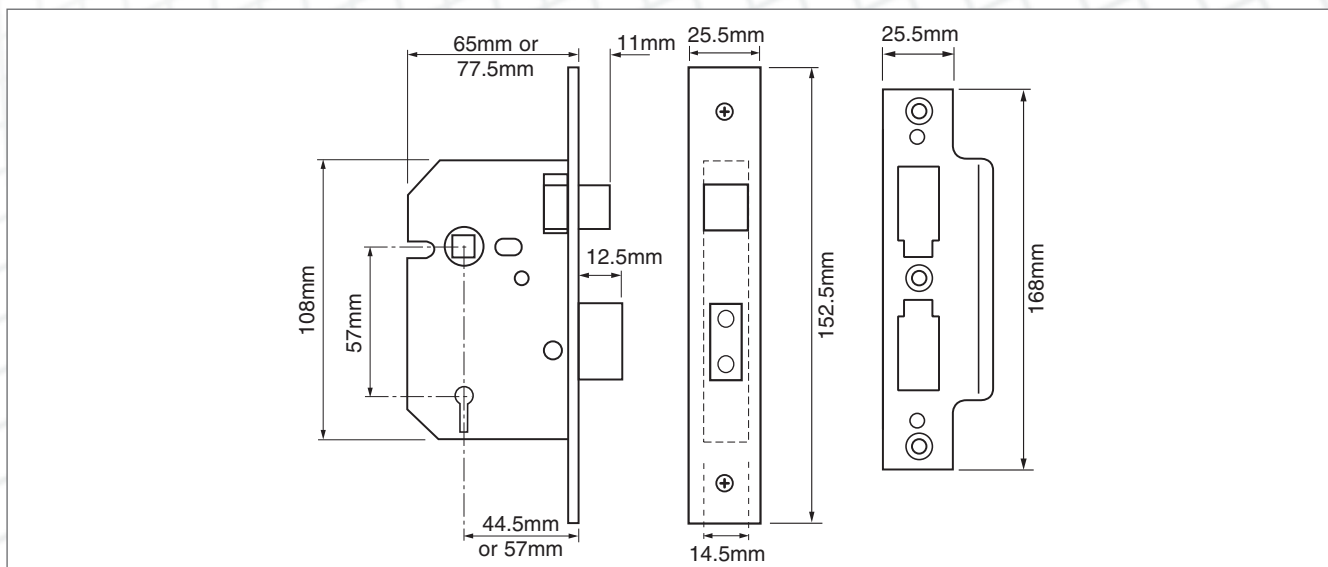
Ordering Code Example:

J 2201 - PL - 2.50

(Boxed - Product Code - Finish - Case Size)

Y 2201 - PL - 2.50

(Visi Packed - Product Code - Finish - Case Size)



5 Lever Sliding Door Lock

2401

Application:

- For timber doors sliding from the left or right
- Keys are suitable for use on doors up to 54mm thick

Operation:

- Claw deadbolt locked or unlocked by key from either side
- May be supplied keyed alike with 2101 and 2201

Specification:

Reference	2401
Case Size	77.5mm (3")
Backset	57mm
Case	Steel, red powder coat
Forend	Stainless steel or brass
Striking Plate	Finished to match forend
Deadbolt	Brass, expanding claw
Latch Bolt	n/a
Follower	n/a
Rebate Kit	no rebate kit applicable to this model
Keying Groups	May be supplied to pass or differ. Supplied with 2 steel nickel plated keys
Key Blank Number	KB430
Keying	600 standard differs (keys are not numbered for security purposes)

NB: Not suitable for master keying

Features:

- Expanding claw deadbolt
- Available with square forend and striking plate



Finishes:

- SC - Satin Chrome finish
- PL - Brass finish

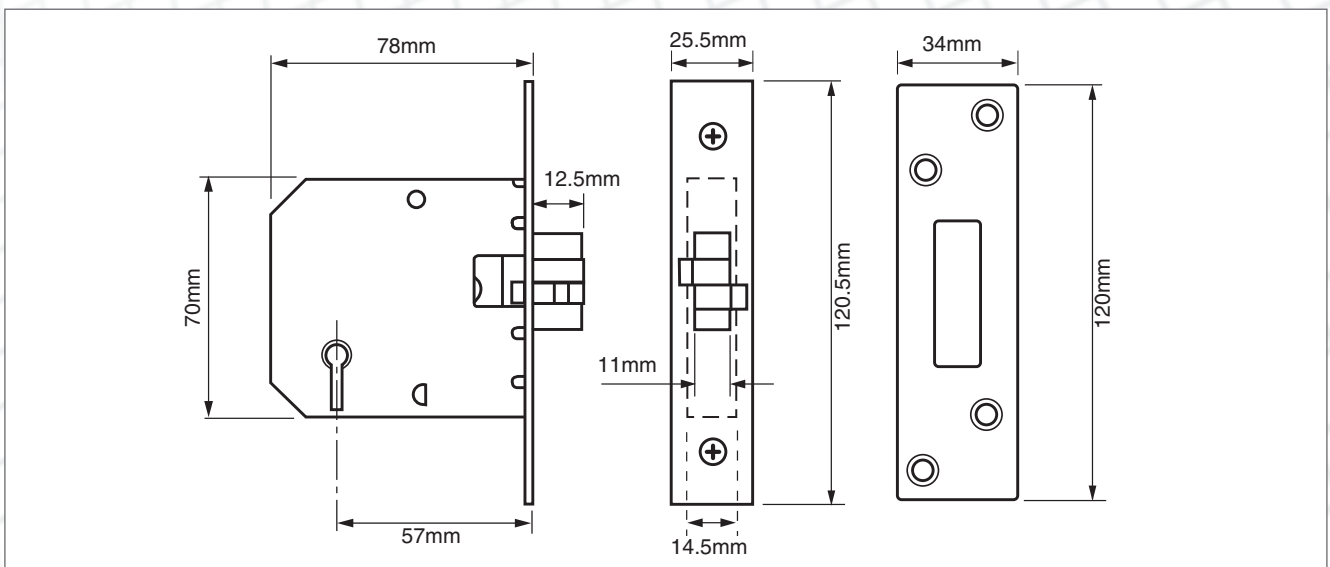
Standards:



Ordering Code Example:

J 2401 - PL - 3.00

(Boxed - Product Code - Finish - Case Size)



For your reference