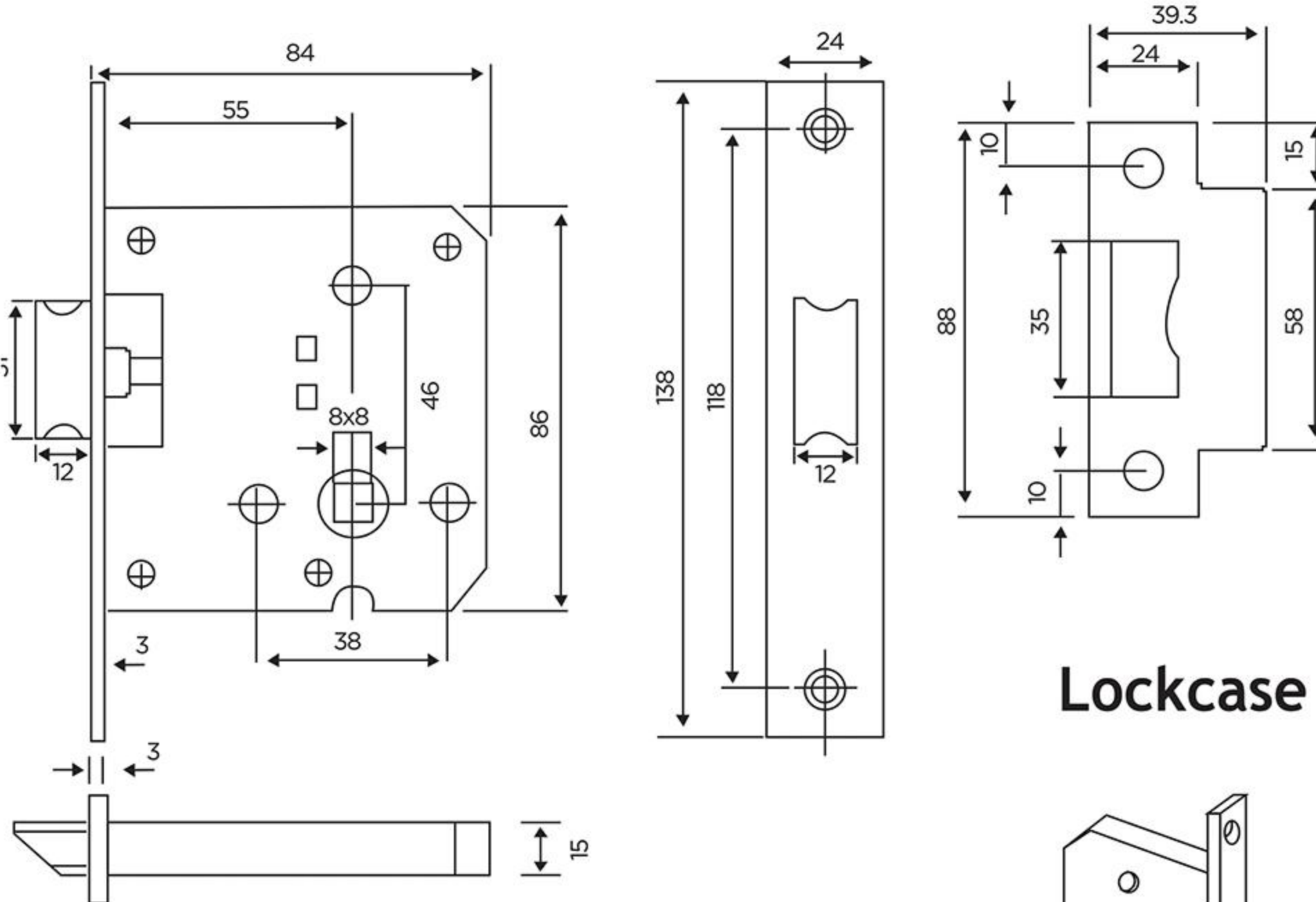
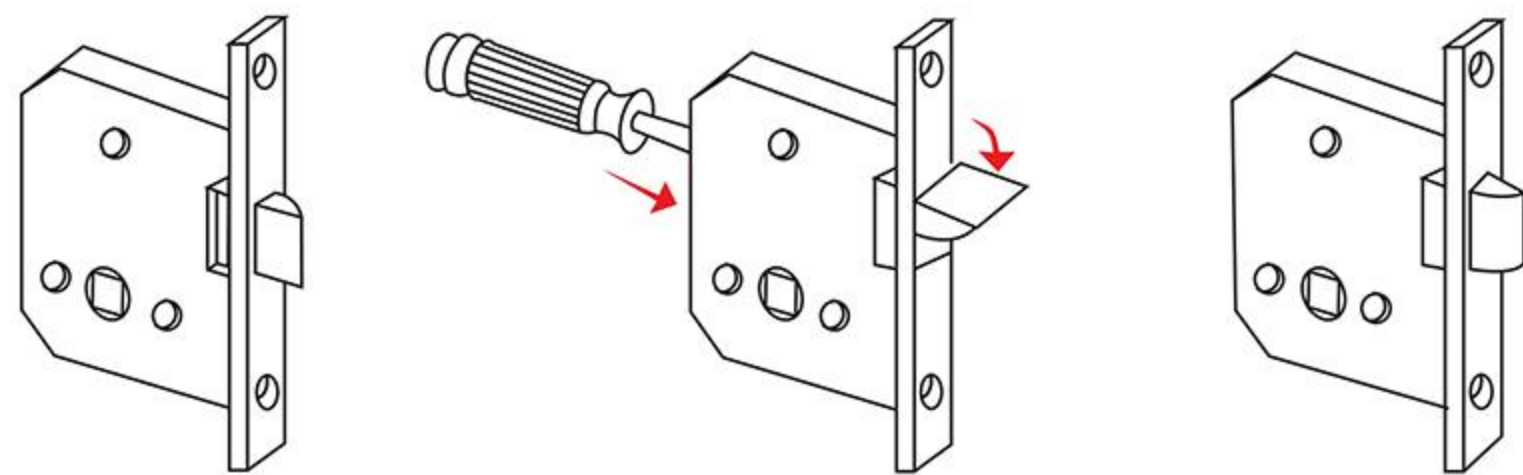


LATCH BOLT LOCK DTML029

SUS 304 Forend, Strike Plate, Follower & Latch Bolt
 Finish: SSS
 PVD
 Backset: 55 mm
 Forend plate type: Square
 Suitable for Passage Doors



Lockcase Reversible Direction



APPLICABLE FOR DOORS WOODEN DOORS | METAL DOORS | SWING DOORS