

## EURO PROFILE SASH LOCK

SUS 304 Forend, Strike Plate, Follower, Latch Bolt & Dead Bolt

Finish: SSS

PVD

Distance: 72 mm

Forend plate type: Square

2-Turn Dead Bolt

Suitable for Entrance Doors

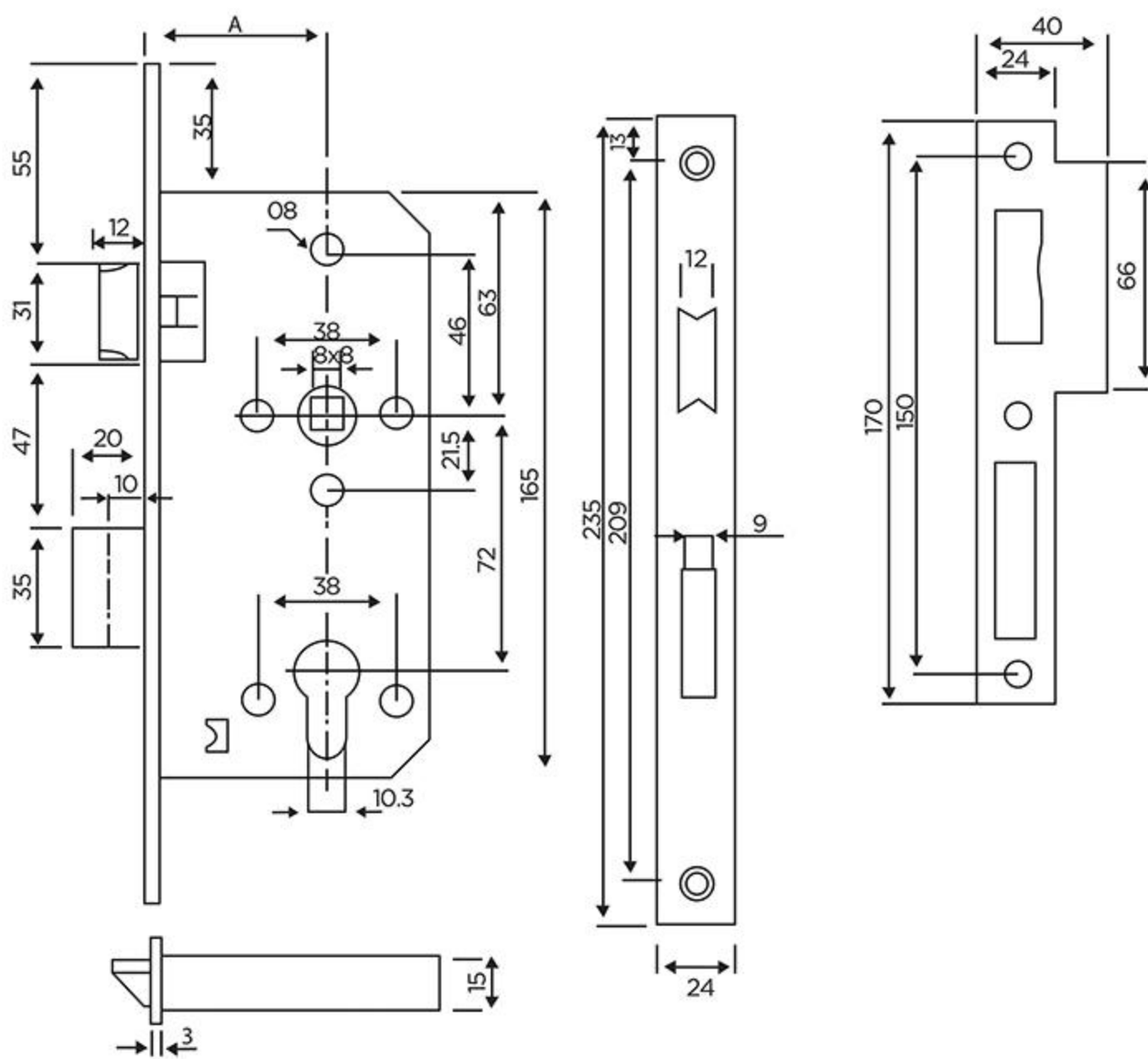
Certification: CE EN 12209 / DIN 18251

EN 1634: 240 Mins Fire Rated

EN 1670: 240 Hours NSS Corrosion Resistance



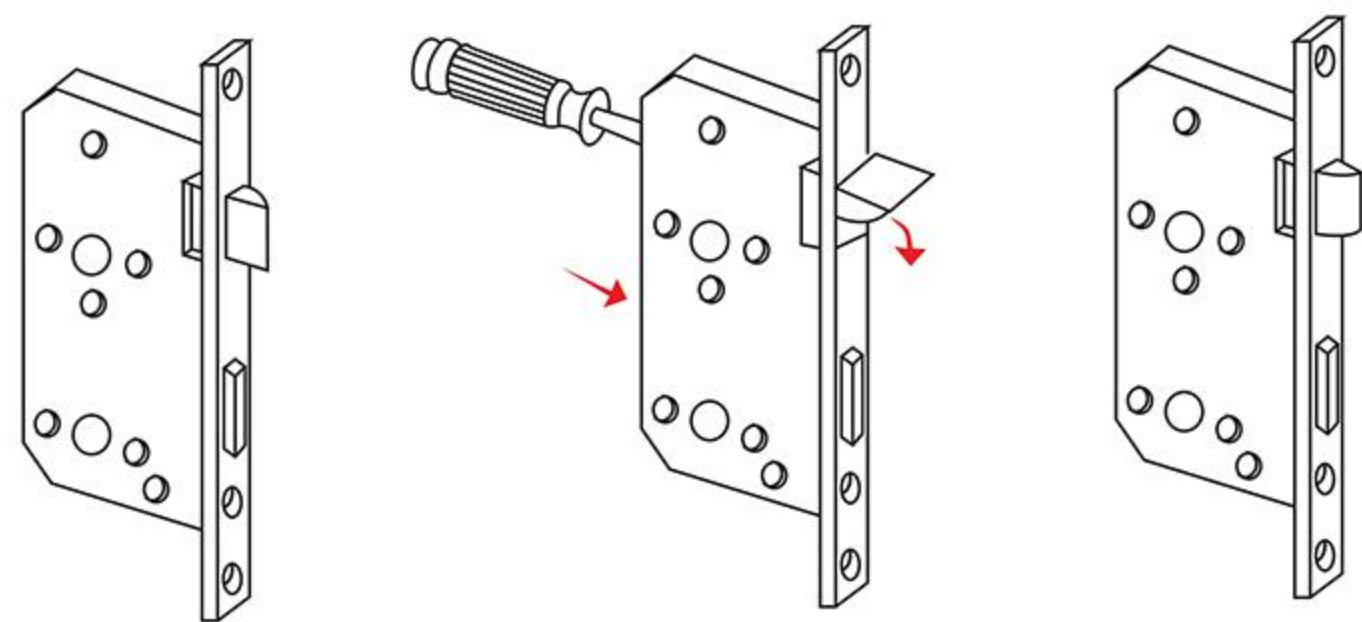
Item Code	Backset Size (A) mm
DTML009-5572	55 mm
DTML009-6072	60 mm
DTML009-6572	65 mm
DTML009-7072	70 mm



CE CLASSIFICATION

3 X 9 1 0 G 3 B C 2 0

Lockcase Reversible Direction



APPLICABLE FOR DOORS WOODEN DOORS | METAL DOORS | FIRE DOORS | SMOKE DOORS | SWING DOORS