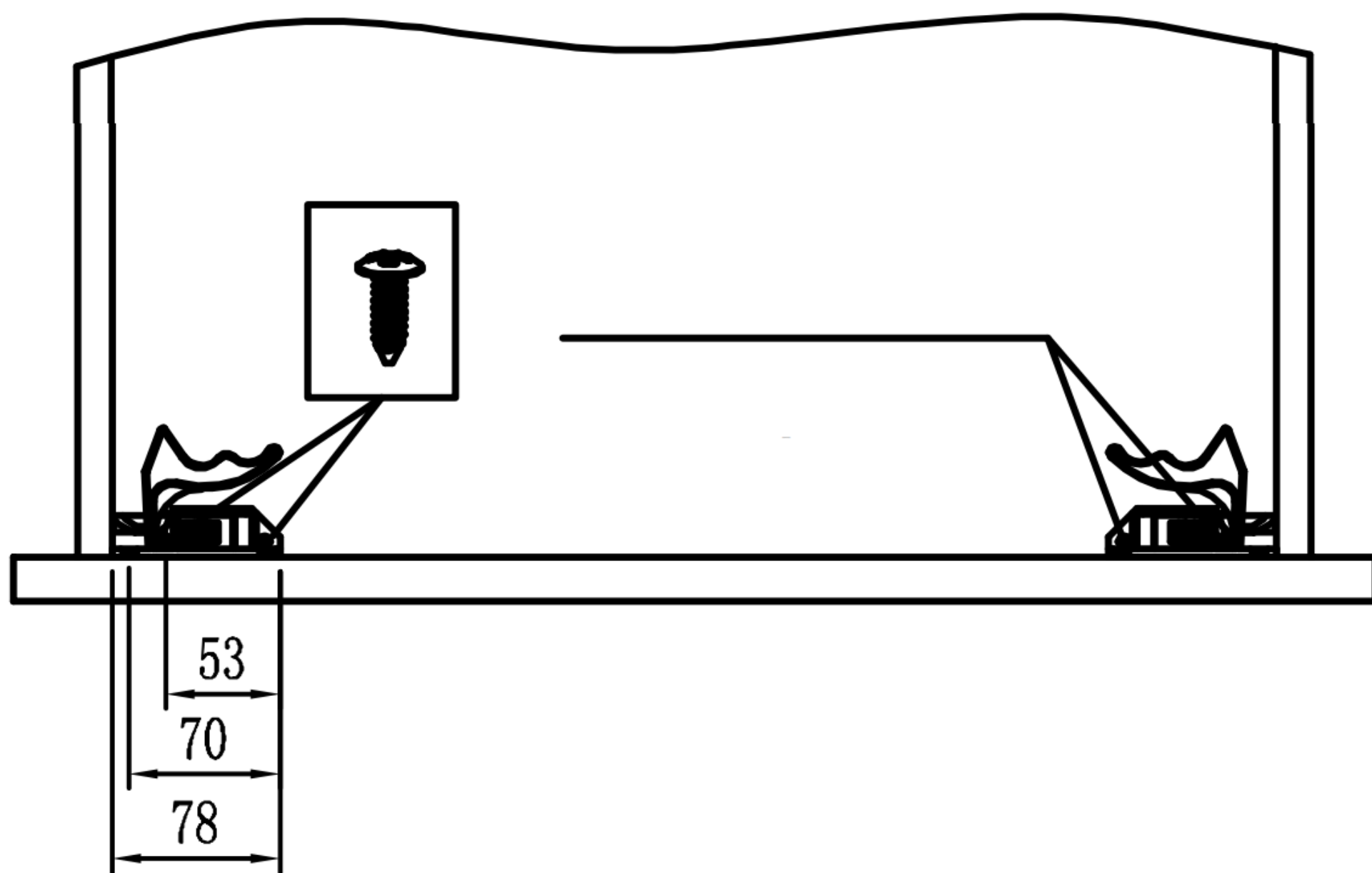


UNDERMOUNT PUSH TO OPEN DRAWER CHANNEL DTUP

Simple Push-In Installation:

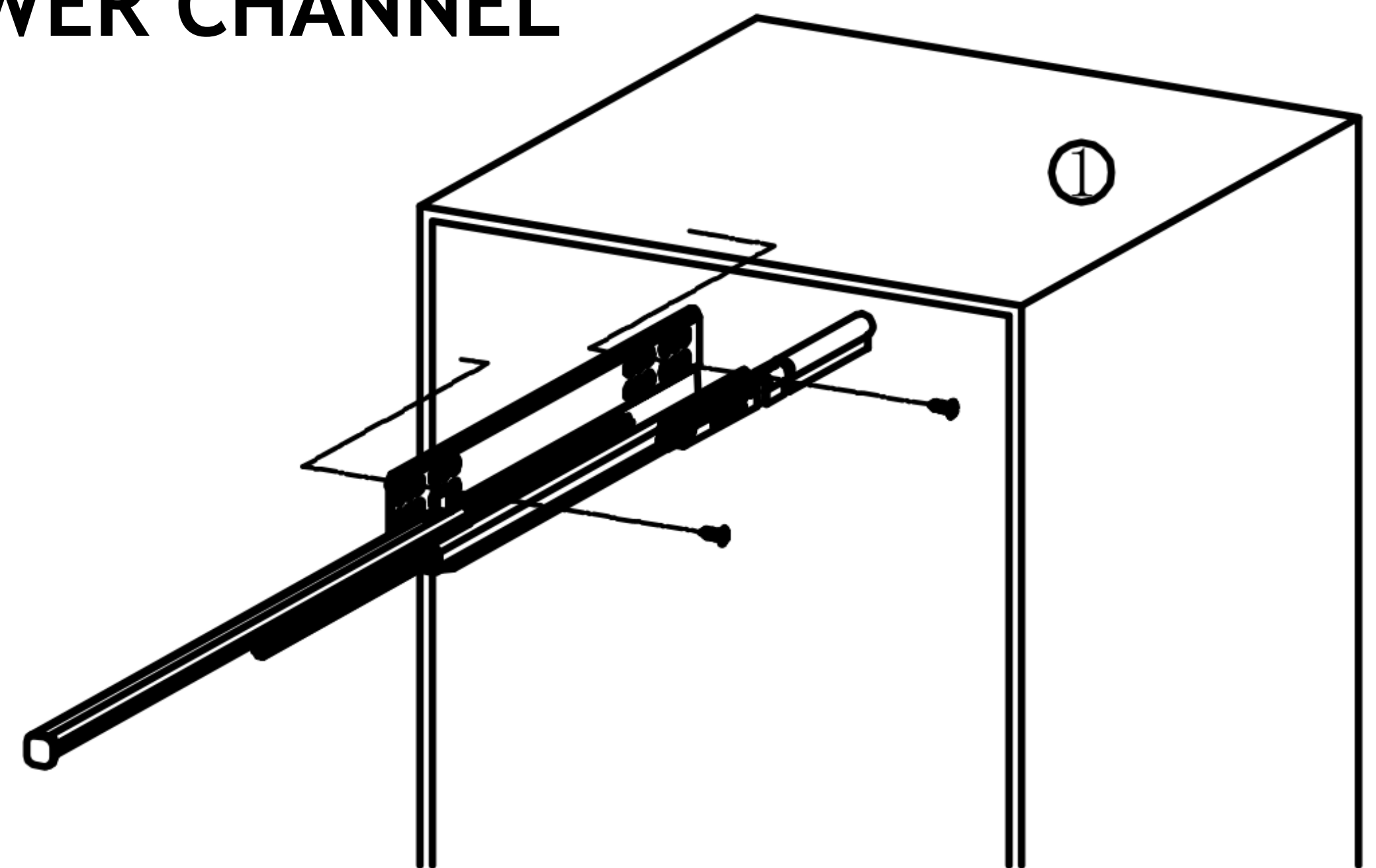


Step 2: Front Connection Installation

On both sides of the front connection, ensure a tight fit against the board. This step guarantees stability of the drawer within the fixed frame.

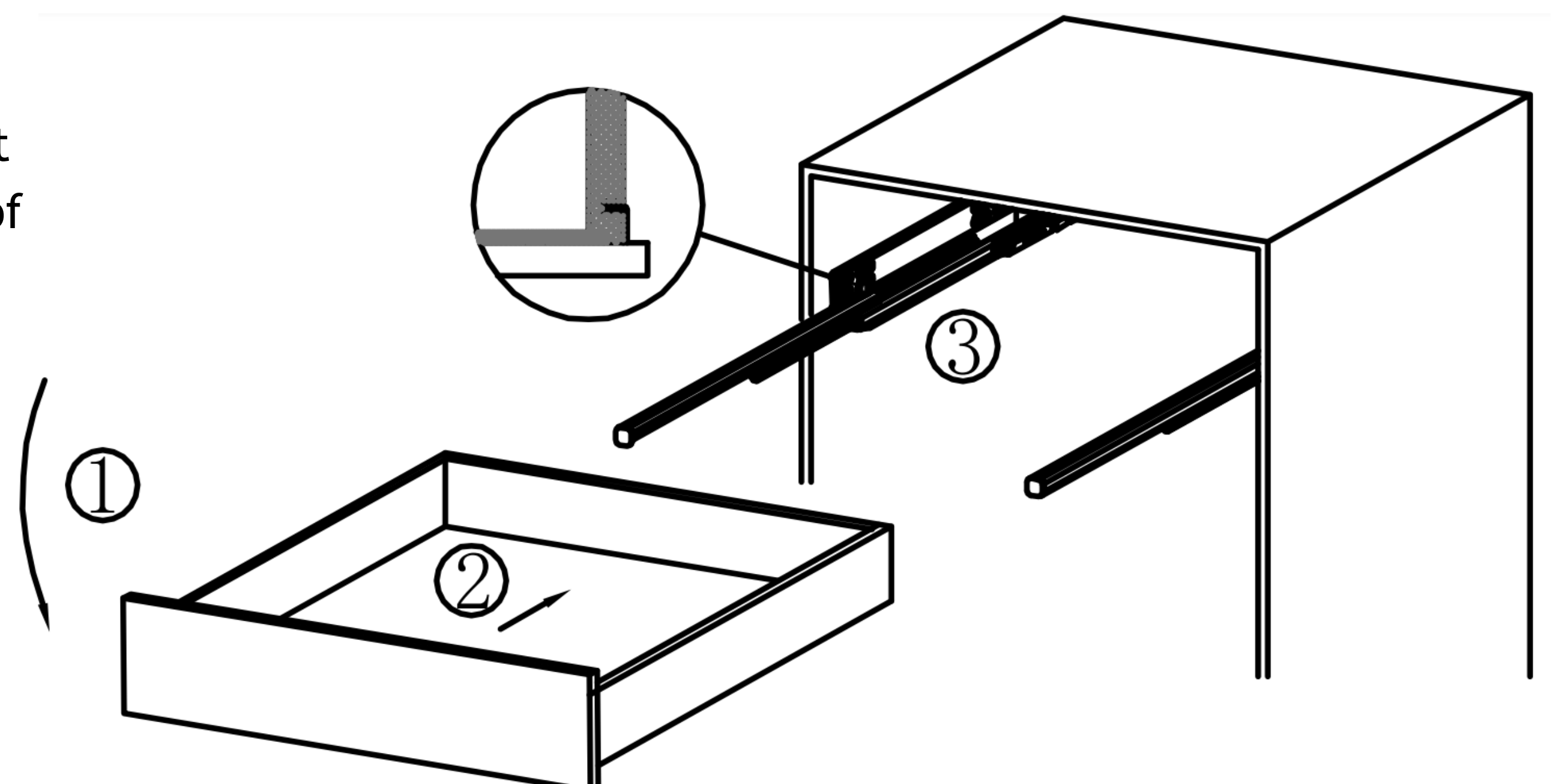
Step 3: Drawer Installation

Continue by securely connecting the front link to the slide rail, confirming the drawer's safety within the fixed frame

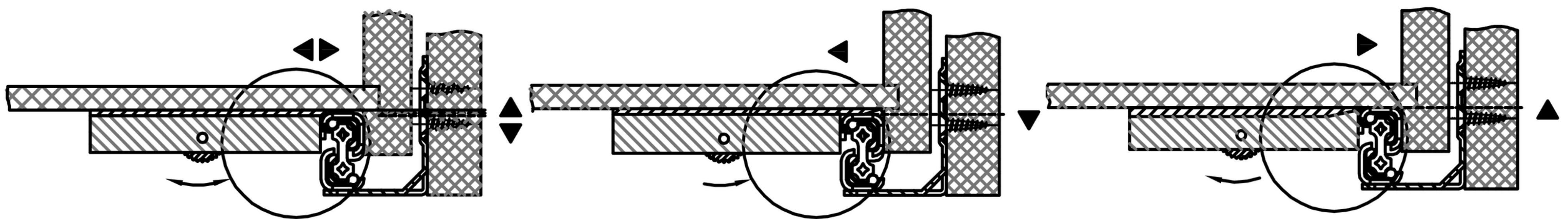


Step 1: Slide Mounting

Place the drawer horizontally on the slide rail and gently slide it into position.



Front Connection With Height Adjustment Function



Removal: Simple Demolition

To remove the drawer, gently lift it while simultaneously compressing the bottom buckles. The drawer will easily detach. To reattach, lift and press the buckles.

