

EXTENDING BAR LOCK DT708

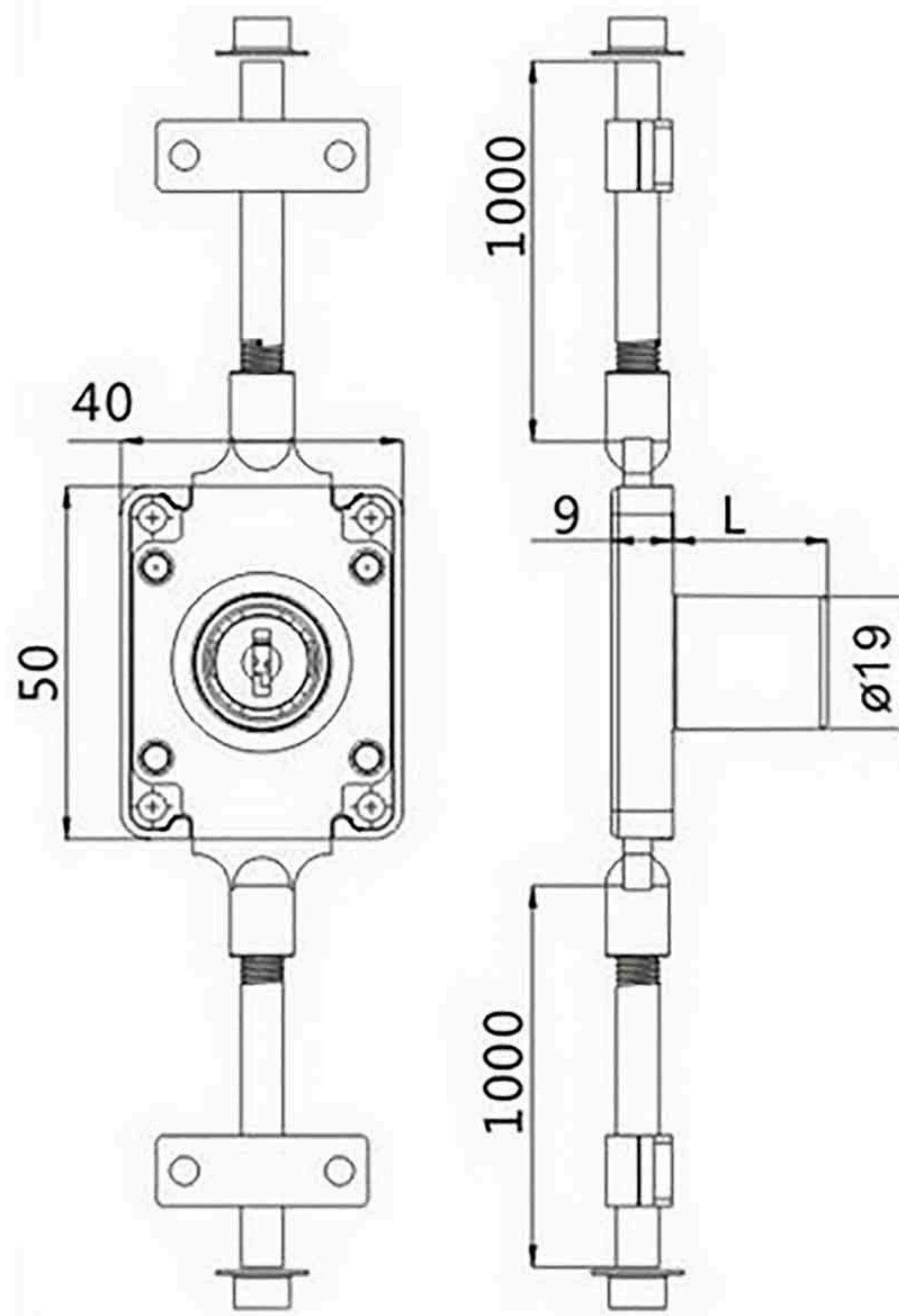
Material: Zinc Alloy

Finish: Nickel Plated

Keys: 2

Core Turn Direction: 180°

Accessories Included: 2 1000 mm Steel Bars,
2 Saddles, 2 Sockets, 1 Rosette



Item Code	L (mm)
DT708-22	22
DT708-32	32