

BATHROOM MORTISE LOCK

SUS 304 Forend, Strike Plate, Follower, Latch Bolt & Dead Bolt

Finish: SSS

PVD

Distance: 78 mm

Forend plate type: Square

2-Turn Dead Bolt

Suitable for Bathroom Doors

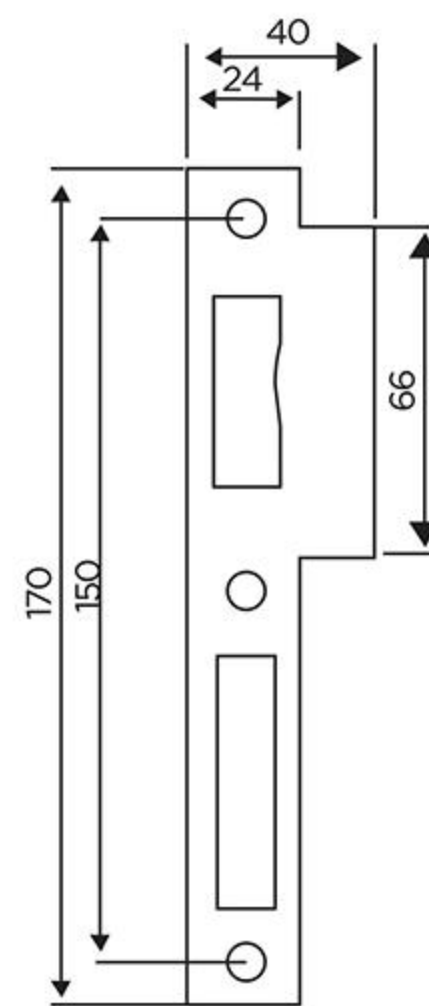
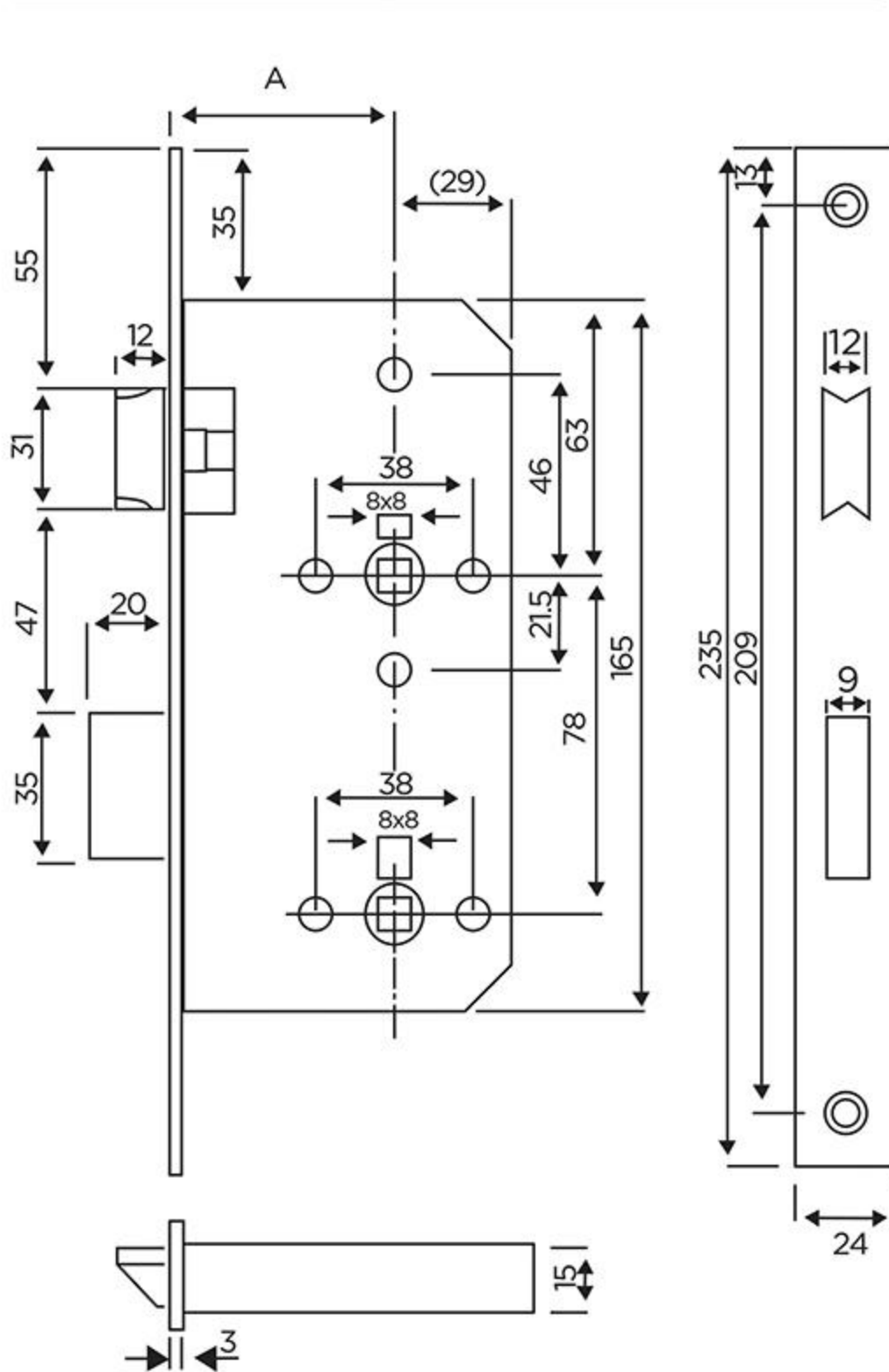
Certification: CE EN 12209 / DIN 18251

EN 1634 240 Mins Fire Rated

EN 1670: 240 Hours NSS Corrosion Resistance



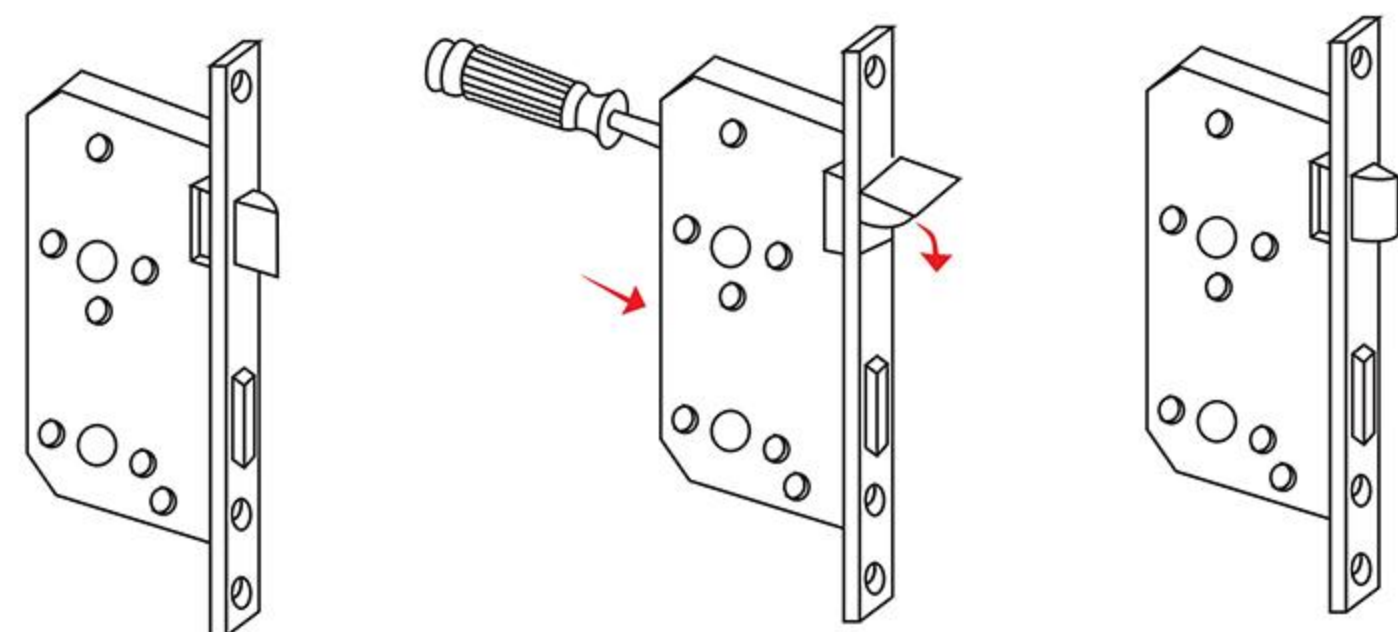
Item Code	Backset Size (A) mm
DTML005-5578	55 mm
DTML005-6078	60 mm



CE CLASSIFICATION

3 X 9 1 0 G - B 0 2 0

Lockcase Reversible Direction



APPLICABLE FOR DOORS WOODEN DOORS | METAL DOORS | FIRE DOORS | SMOKE DOORS | SWING DOORS