

## EURO PROFILE SASH LOCK

SUS 304 Forend, Strike Plate, Follower, Latch Bolt & Dead Bolt

Finish: SSS

PVD

Distance: 85 mm

Forend plate type: Square

2-Turn Dead Bolt

Suitable for Entrance Doors.

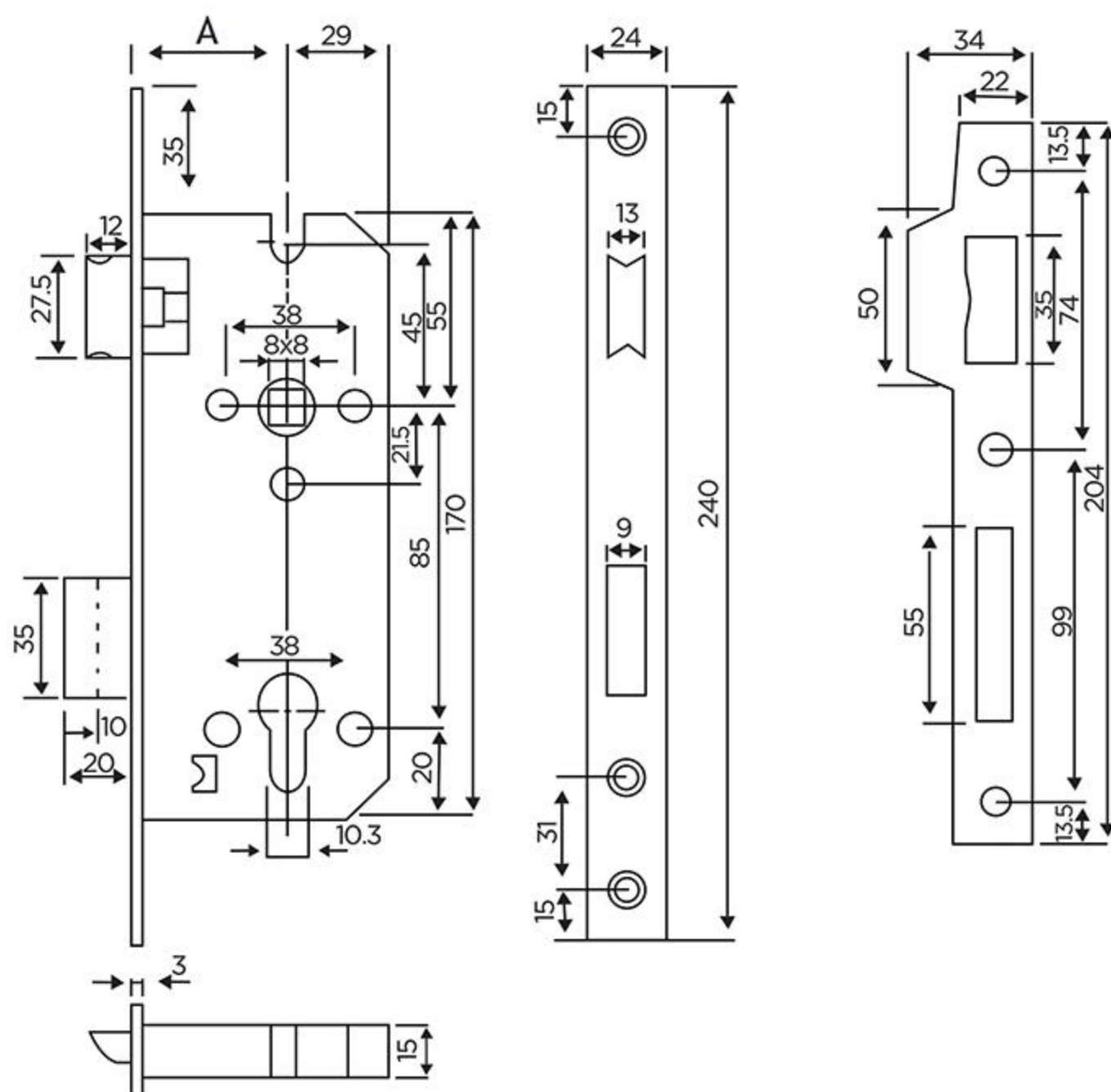
Certification: CE EN 12209 / DIN 18251

EN 1634: 240 Mins Fire Rated

EN 1670: 240 Hours NSS Corrosion Resistance



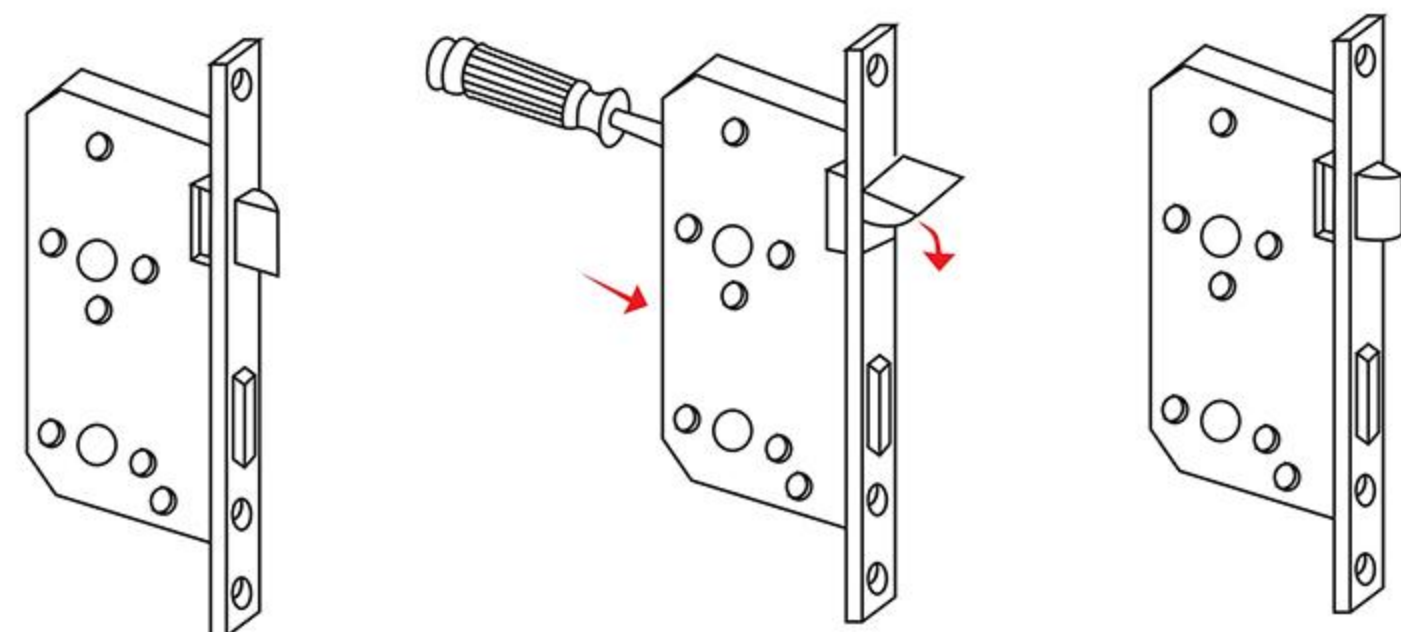
Item Code	Backset Size (A) mm
DTML026-4585	45 mm
DTML026-5085	50 mm
DTML026-6085	60 mm
DTML026-7085	70 mm



CE CLASSIFICATION

3 X 9 1 0 G 3 B C 2 0

Lockcase Reversible Direction



APPLICABLE FOR DOORS WOODEN DOORS | METAL DOORS | FIRE DOORS | SMOKE DOORS | SWING DOORS